

SYSTEM 12/8

2' x 2' CLASS

UL LISTED, 8" O.D. Loudspeaker, 8 Ohm Impedance



GENERAL DESCRIPTION

The **SYSTEM 12/8** is a complete, UL Listed, shallow depth, lightweight, 2' x 2' ceiling tile replacement loudspeaker system consisting of an 8C5PAX - 8" O.D. dual cone loudspeaker with a 5 oz. magnet and an 8 Ohm impedance. Molded fiber enclosure is 1,412 CID. Powder coated steel baffle with standard perforation and four (4) seismic tie-off points. The cable clamp is included. No assembly required.



INTENDED USE - Indoor Environment

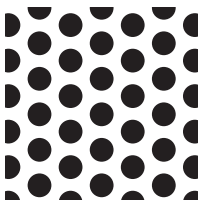
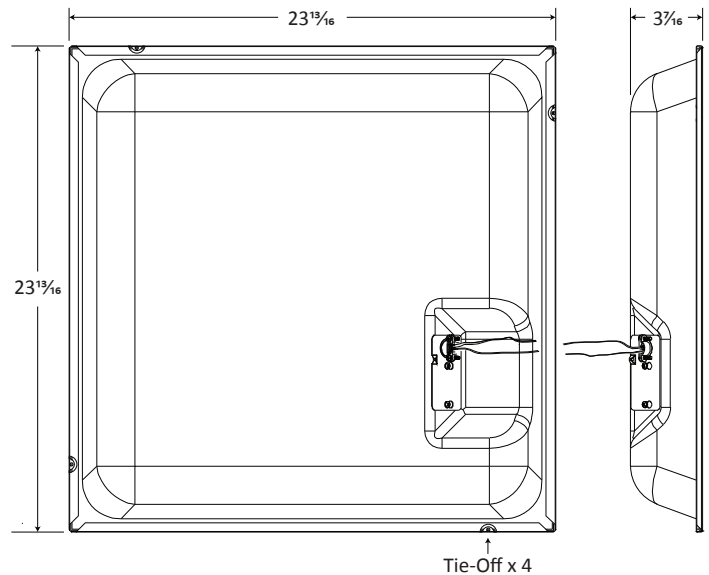
Program Material	Signal tones, voice, and music
UL LISTED 1480	As a General Signaling Device - When installed with supplied installation instructions and requirements of NEC /AHJ. (UEAY, UEAY7- Canada)
UL LISTED 2043	Suitable for use in air-handling spaces
City of Chicago Approved	Material and construction permits use where ceiling plenum is part of the air handling system.
Installation	Mounted parallel to floor plane in a 24" wide suspended ceiling tile grid.

AUDIO SPECIFICATIONS

Average Sensitivity	92 dB SPL, 1W/1M
Loudspeaker Power Rating	12W RMS EIA 426A Standard
Maximum Power Rating	15W @ 8 Ohms
Calculated Output	102 dB-SPL 12W/1M
Magnet Type & Weight	BeFe Ceramic, 5 oz. Nominal
Frequency Response	65 Hz - 17 kHz EIA 426A Standard
Nominal Coverage Angle	100° Included Angle -6 dB / 2 kHz, Half space
Audio Connection	6" Leads
Unit Weight	6.05 Lbs

SYSTEM COMPONENTS

Loudspeaker	8C5PAX
--------------------	--------



Standard Perforation Pattern
Shown as 1" Square Sample